

NEW



SITE DUMPERS | 6T-1FT/6T-1ST/7T-1HI-MZ/9T-1FT

Gross engine power: 74 hp (55 kW) Payload: 13,228 lb (6,000 kg) – 19,842 lb (9,000 kg)



THE WORLD'S SAFEST SITE DUMPERS

JCB SITE DUMPERS ARE THE SAFEST ON THE MARKET AND ARE PACKED WITH INNOVATIVE FEATURES TO PROTECT THE OPERATOR AND YOUR INVESTMENT.



Safer by design.

JCB site dumpers are compliant with industry standards and regulations. Packed with innovative safety features, including full-width steering column protection, Hi-Viz retractable lap belts and optional Hi-Viz coatings on hand rails and steps, these machines are designed to keep your people safe and boost your productivity.

Additionally, JCB site dumpers are equipped with a speedometer, initial movement alarm, front camera (excluding 7T-1), and lap belt logic which prevents machine movement without the lap belt being engaged. Options available include the JCB SiTESAFE cab, white noise reverse alarm, side/rear cameras and object detection system.

JCB site dumpers come standard with a 2-year/2,000-hour warranty and are backed by the global JCB dealer and parts network.



THE JCB 6T-I FEATURES INTEGRATED JCB COMPONENTS FOR OPTIMAL PERFORMANCE AND EFFICIENCY.

1. The 6T-I is equipped with folding ROPS/FOPS Level II as standard. An optional folding ROPS-only frame is available on some models and may be a viable option depending on site and risk assessments. Note: JCB recommends ROPS/FOPS Level II.

2. An optional JCB SITESAFE cab is available for enhanced operator safety and comfort.

3. JCB EcoMAX 74 hp (55 kW) engine requires no exhaust aftertreatment, for simplified maintenance and lower operating costs.

4. Operator safety is enhanced by the sequenced, two-stage drive inhibit system: the operator needs to be firmly in the seat, with the lap belt engaged, before driving.

5. A speedometer facilitates compliance with work site speed restrictions.

6. The 6T-I is available with a front- or swivel-tipping bucket to suit a variety of applications.

7. A standard-fit front camera expands the operator's visibility to comply with safety regulations. Available options include side and rear cameras, and an object detection system.

8. Optional flexible steps for improved impact damage resistance.



9T-1**THE LARGEST JCB SITE DUMPER, THE JCB 9T-1 IS DESIGNED TO SAFELY MOVE LARGE VOLUMES OF MATERIAL.**

1. The bucket is constructed from quarter-inch steel plate with a reinforced upper section to provide long service life. The 9T-1's durable, all-steel construction makes it ideal from the demands of the rental market.

2. Robust dual-pin center joint design for neat hose routing and reduced wear and tear.

3. JCB engine, transmission and axles work together in perfect harmony to deliver maximum productivity.

4. Optional safety features include a green LED seatbelt indicator beacon, white noise reverse alarm, and high-visibility painted steps and grab rails.

5. The optional JCB SITESAFE cab is detachable for fleet flexibility and simple retrofit.

6. Safety is enhanced by a sequenced, two-stage drive inhibit system. The operator must be seated with lap belt engaged before driving.

7. The initial-movement alarm alerts others on the work site that the machine is about to move from a stationary position.

8. Folding road lights are located away from potential damage.



7T-I Hi-Viz

THE JCB 7T-I HI-VIZ WAS SPECIFICALLY DESIGNED TO ADDRESS INDUSTRY CONCERNS ABOUT SITE DUMPER SAFETY. THE RESULT IS A MACHINE WITH UNRIVALLED FRONT VISIBILITY, STABILITY AND OPERATOR PROTECTION.



1. Tapered bucket geometry ensures smooth tipping.

2. Comparable turning circle to a 13,000 lb (6,000 kg) dumper, to enhance maneuverability and accurate load placement.

3. Widened wheel track and lengthened wheel base improve stability in all directions.

4. ROPS/FOPS Level II with JCB SITESAFE protective cab is standard. Reinforced frame and glass keeps the operator safe.

5. The operator has direct line of vision that exceeds safety legislation. Forward visibility is 2' 7" x 3' 3" (0.8 m x 1 m) when empty, and 4' 7" x 3' 3" (1.4 m x 1 m) when fully laden.

6. Large single engine service door gives 360-degree access to engine and cooling pack.

7. Excellent weight distribution ensures a smooth ride for optimum comfort.

8. Innovative front chassis design lowers payload center of gravity by 16 percent. The unique lowered bucket enables fast, effective loading.

GREATER VISIBILITY
LOWER BUCKET DESIGN • DIRECT LINE OF VISION @ 3' 3" (1 M) • 77% BETTER VISIBILITY



GREATER STABILITY
LOWER CENTER OF GRAVITY • WIDER WHEEL TRACK • LONGER WHEELBASE



GREATER PROTECTION
REINFORCED FRAME • ROPS & FOPS LEVEL II CAB • IMPACT PROTECTIVE FRONT SCREEN



SITESAFE™ OPERATOR ENVIRONMENT

THE JCB SITESAFE™ OPERATOR ENVIRONMENT OFFERS THE ULTIMATE COMBINATION OF SAFETY AND OPERATOR COMFORT. IT IS STANDARD ON THE 7T-1 HI-VIZ SITE DUMPER AND AN AVAILABLE OPTION ON THE 6T AND 9T MODELS.



1. Flat glass for quick, low-cost replacement when necessary.

2. Impact-protective front screen, toughened side and rear glass and reinforced frame for improved protection.

3. Deglazed canopy option retains front screen, ensuring the operator is protected.

4. Detachable for service access and transport. When fitted to a 13,000 lb (6,000 kg) and 15,000 lb (7,000 kg) dumper, overall height remains under 9 feet 10 inches (3 m).

5. ROPS/FOPS Level II cab with integrated protection system. Designed and tested to withstand a front dump impact and side slewing impact from a 29,000 lb (13,000 kg) excavator.*

6. Both doors have lockback and ajar stays to provide increased ventilation of the operator's environment and improve communication.

7. Equipped with heater only as standard.

*JCB has tested the cab for front dumping impact damage when struck by the flat face of a fully loaded bucket of a 29,000 lb (13,000 kg) excavator at full speed dump and also for side impact damage when struck by the flat side of the same bucket at full speed slew rotation. The testing concluded that neither the cab ROPS/FOPS structure nor front screen encroached into the operator's safe zone (DLV – Deflection Limiting Volume) as a result of the impacts.

LIVELINK, WORK SMARTER.

LIVELINK IS AN INNOVATIVE SOFTWARE SYSTEM THAT LETS YOU MANAGE YOUR JCB MACHINES REMOTELY FROM A COMPUTER, TABLET OR SMART PHONE.

Productivity and cost benefits

By providing information such as idle time monitoring and machine fuel consumption, JCB LiveLink helps reduce fuel consumption, to save money and improve productivity. Machine location information can help improve efficiency and may even reduce insurance costs.



Maintenance benefits

Accurate hours monitoring and service alerts to improve maintenance planning, and real-time location data to improve fleet management. Critical machine alerts and maintenance history records are also available.

Security benefits

LiveLink's real-time geofencing alerts advise when machines move out of predetermined zones, and real-time curfew alerts inform of unauthorized usage. Real-time location information, advanced ECU matching, and remote pin code management is also available.

VALUE ADDED.

WHATEVER YOU NEED AND WHEREVER YOU ARE, JCB'S DEPENDABLE NORTH AMERICAN DEALER NETWORK IS HERE TO MAKE SURE YOUR MACHINERY PERFORMS TO ITS FULL POTENTIAL.



JCB Technical Support Service provides instant access to factory expertise, day or night.

JCB's Finance and Insurance teams are always on hand to provide fast, flexible, competitive quotes.

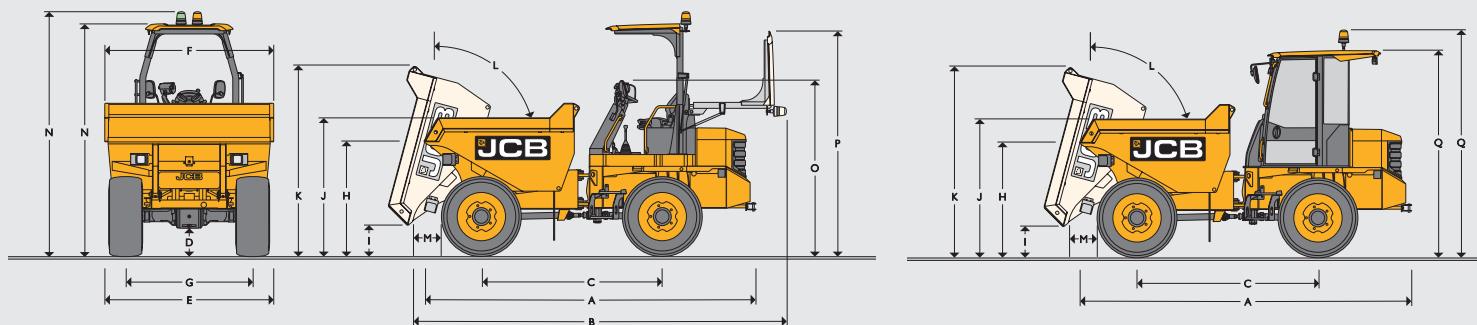
The global network of JCB Parts Centers is a model of efficiency. With 16 regional bases, JCB delivers around 95 percent of all parts anywhere in the world within 24 hours. JCB parts are designed to work in perfect harmony with your machine for optimum performance and productivity.



JCB Yellow Shield offers comprehensive extended warranties, as well as service-only or repair and maintenance contracts. JCB maintenance teams offer competitive labor rates and no-obligation quotes.



STATIC DIMENSIONS AND CAPACITIES



STATIC DIMENSIONS

		6T-1 Front Tip	6T-1 Swivel Tip	7T-1 Hi-Viz Front Tip	9T-1 Front Tip
A	Overall length	ft-in (m)	15-9 (4.79)	16-7 (5.05)	16-1 (4.91)
B	Overall length (ROPS or FOPS folded)	ft-in (m)	16-6 (5.02)	17-4 (5.28)	16-10 (5.14)
C	Wheelbase	ft-in (m)	8-2 (2.48)	8-2 (2.48)	8-10 (2.68)
D	Minimum ground clearance	ft-in (m)	1-0 (0.31)	1-0 (0.31)	1-2 (0.36)
E	Total width (normal/thin tires)	ft-in (m)	7-5 (2.26)	7-5 (2.26)	7-10 (2.38)
F	Bucket width	ft-in (m)	7-7 (2.31)	6-7 (2.02)	8-2 (2.50)
G	Track width (Standard/Narrow tires)	ft-in (m)	6-1 (1.85)	6-1 (1.85)	6-2 (1.88)
I	Height to front lip of bucket (untipped)	ft-in (m)	5-6 (1.67)	5-8 (1.72)	5-8 (1.73)
H	Height to front lip of bucket (tipped)	ft-in (m)	1-0 (0.31)	3-8 (1.12)	1-4 (0.42)
J	Load over height	ft-in (m)	5-11 (1.79)	6-8 (2.03)	5-9 (1.76)
K	Height over bucket (tipped)	ft-in (m)	7-11 (2.41)	12-1 (3.67)	9-5 (2.87)
L	Bucket tip angle	degrees	80	70	85
M	Discharge distance (front)	ft-in (m)	2-0 (0.60)	1-11 (0.58)	1-8 (0.52)
	Discharge distance (side)	ft-in (m)	-	0-9 (0.24)	-
	Turning radius to outside of bucket	ft-in (m)	19-4 (5.90)	18-11 (5.78)	19-10 (6.05)
	Turning radius to outside of tires	ft-in (m)	18-11 (5.76)	18-10 (5.74)	20-5 (6.22)
	Steering angle (+/-)	degrees	30	30	35
	Oscillation	degrees	10	10	10
N	Height to top of ROPS (with/without beacon)	ft-in (m)	11-0 (3.35)/10-3 (3.13)	11-0 (3.35)/10-3 (3.13)	-
N	Height to top of ROPS/FOPS (with/without beacon)	ft-in (m)	11-0 (3.35)/10-5 (3.17)	11-0 (3.35)/10-5 (3.17)	-
O	Height with folded ROPS	ft-in (m)	6-7 (2.01)	7-1 (2.17)	-
P	Height with folded ROPS/FOPS	ft-in (m)	9-8 (2.94)	9-8 (2.94)	-
Q	Height to top of cab (with/without beacon)	ft-in (m)	10-10 (3.30)/9-11 (3.01)	10-10 (3.30)/9-11 (3.01)	10-10 (3.30)/9-10 (2.99)

CAPACITIES

		6T-1 Front Tip	6T-1 Swivel Tip	7T-1 Hi-Viz Front Tip	9T-1 Front Tip
Payload	lb (kg)	13228 (6000)	13228 (6000)	15432 (7000)	19842 (9000)
Operating weight - ISO6016 full tank of fuel & 75kg operator (ROPS)	lb (kg)	10803 (4900)	11310 (5130)	-	12037 (5460)
Operating weight - ISO6016 full tank of fuel & 75kg operator (ROPS/FOPS)	lb (kg)	10979 (4980)	11486 (5210)	-	12214 (5540)
Operating weight - ISO6016 full tank of fuel & 75kg operator (Cab)	lb (kg)	11552 (5240)	12059 (5470)	12390 (5620)	12787 (5800)
Tipping type		Front tip	Swivel tip	Front tip	Front tip
Bucket capacity (fluid)	gal (L)	521 (1974)	427 (1615)	532 (2015)	643 (2435)
Bucket capacity (struck)	yd³ (m³)	3.3 (2.54)	3.3 (2.51)	4.0 (3.03)	4.9 (3.74)
Bucket capacity (heaped)	yd³ (m³)	4.2 (3.19)	4.1 (3.15)	4.6 (3.52)	5.9 (4.53)

ENGINE				
	6T-1 Front Tip	6T-1 Swivel Tip	7T-1 Hi-Viz Front Tip	9T-1 Front Tip
Engine model	JCB EcoMAX			
Capacity	4400			
Aspiration	Turbocharged			
Cylinders	4			
Max gross power to SAE J1995/ISO 14396	hp (kW)	74 (55)		
Max torque	lb-ft (Nm)	295 (400)		
Emissions compliance	Tier 4 Final			

TRANSMISSION				
		6T-1	7T-1	9T-1
Type		Powershuttle		
Tyre size		405-70-20 14PR	405-70-20 14PR	500-60-22.5 16PR
Drive		4 / 4 forward and reverse – permanent 4WD		
Max. travel speed (unladen) 1st gear	mph (km/h)	3.1 (5.0)	2.8 (4.5)	2.8 (4.5)
Max. travel speed (unladen) 2nd gear	mph (km/h)	5.0 (8.1)	4.7 (7.5)	4.7 (7.5)
Max. travel speed (unladen) 3rd gear	mph (km/h)	9.4 (15.2)	8.8 (14.1)	8.8 (14.1)
Max. travel speed (unladen) 4th gear	mph (km/h)	15.9 (25.6)	15.3 (24.7)	15.3 (24.7)

ELECTRICAL SYSTEM				
		6T-1	7T-1	9T-1
System voltage	V	12		
Alternator output	A	95		
Battery capacity	Ah	110		

SERVICE FILL CAPACITIES				
		6T-1	7T-1	9T-1
Hydraulic tank	gal (L)	15.9 (60)		
Fuel tank	gal (L)	17.2 (65)		

BRAKING				
		6T-1	7T-1	9T-1
Working brake		Foot brake-oil immersed discs on front/rear		
Parking brake		Over center parking brake-dry disc on gearbox		

ENVIRONMENTAL				
	6T-1 FT	6T-1 ST	7T-1 Hi-Viz FT	9T-1 FT
Sound pressure (LpA) to ISO 4871 - ROPS	82 (dBA)			
Sound pressure (LpA) to ISO 4871 - Cab	88 (dBA)			
Sound power level (LwA) to ISO 4871	101 (dBA)			
Vibration - hand arm (ISO 5349-2:2001)	< =2.5 m/s ²			
Vibration - whole body (ISO 2631-1:1997)	0.89 m/s ²			

OPTIONS				
	6T-1	7T-1	9T-1	
Folding ROPS frame (site and risk assessment dependent on 6T-1 and 9T-1 models, JCB recommends FOPS fitment)	+		+	
Folding ROPS/FOPS Level II frame	●		●	
Plastic yellow ROPS/FOPS roof cover	+		+	
JCB SITESAFE Cab (ROPS/FOPS Level II) with heater only and protective front screen	+	●	+	
JCB SITESAFE Canopy (ROPS/FOPS Level II) with protective front screen	+	+	+	
Front screen guard	+	+	+	
Reversing alarm	●	●	●	
White noise reversing alarm	+	+	+	
Dual circuit braking	●	●	●	
Speedometer	●	●	●	
Tie-down and lifting points	●	●	●	
Lap belt (high-visibility orange, emergency locking retractor)	●	●	●	
Amber rotating beacon	●	●	●	
LED amber beacon	+	+	+	
LED green beacon with lap belt indicator (Note: not linked to engine start)	+	+	+	
Sequenced drive inhibit system; drive linked to seat switch and lap belt engagement	●	●	●	
Audible alarm on initial machine movement – Horn sounds twice.	●	●	●	
Bucket raised audible alarm (Body up indicator)	+	+	+	
Seat adjustment: fore/aft, operator weight, back angle	●	●	●	
Recovery hitch	●	●	●	
Full width steer column protection	●	●	●	
Traction tires	●	●	●	
High visibility safety paint for steps and handrails	+	+	+	
Rear view mirrors	+	+	+	
Front and rear LED work lights	+	+	+	
Three-speed-only restriction	+	+	+	
Object detection system (requires front camera fitment)	+	+	+	
Front camera (compliant with ISO 5006:2017)	●	+	●	
Side/Rear Cameras (requires front camera fitment)	+	+	+	
Road lights	+	+	+	
LiveLink telematics	+	+	+	
Flexible steps	+	+	+	
Rental ready decals – clear bucket sides	+	+	+	

- Standard
- + Option
- ◆ Cab only option



ONE COMPANY, MORE THAN 300 MACHINES.

SITE DUMPERS

6T-1 FT/6T-1 ST/7T-1 HI-VIZ/9T-1 FT

Gross engine power: 74 hp (55 kW) Payload: 13,228 lb (6,000 kg) – 19,842 lb (9,000 kg)

JCB North America

2000 Bamford Blvd., Pooler, Georgia, 31322 Tel: (912) 447-2000

Download the very latest information on this product range at www.jcb.com

JCB inc. All rights reserved. No part of this publication may be reproduced, stored in a retrieval system, or transmitted in any form or by any other means, electronic, mechanical, photocopying or otherwise, without prior permission from JCB inc. All references in this publication to operating weights, sizes, capacities and other performance measurements are provided for guidance only and may vary dependant upon the exact specification of machine. They should not therefore be relied upon in relation to suitability for a particular application. Guidance and advice should always be sought from your JCB Dealer. JCB reserves the right to change specifications without notice. Illustrations and specifications shown may include optional equipment and accessories. The JCB logo is a registered trademark of J C Bamford Excavators Ltd.

Your nearest JCB Dealer

