

Telehandler



WEIDEMANN
designed for work



The compact telehandler.

Aim high with optimal stability.



Your indispensable all-rounder.

The compact Weidemann telehandlers are unique in the combination of lift height, width and machine capacity. With the 4 wheel drive and all-wheel steering, you have complete stability and are well-equipped for many different tasks. Those who drive a Weidemann telehandler simply will no longer give it up.

The compact telehandler.

Aim high with optimal stability.



Undivided chassis and all-wheel steering, low centre of gravity, and excellent stability.

Ergonomic working area and good all-round visibility.

Ideal ratio of lift height, width, and machine performance.

Compact design with tremendous lift height.



Innovative driver assist system vls (Vertical Lift System).

Depending on the model, 3 steering types for efficient operation of the machine.



T4108



T4512



T5522



T6027

The basic Weidemann virtues.

Agile, multi-functional, and suitable for all terrains.



Compact machines with a high level of manoeuvrability.
The all-rounder for any application location. All telehandlers of our line of products have particularly small inner radius. Especially when things become tight, e.g. work in stables or storage areas, our telehandlers feature small radius and optimum manoeuvrability. All-rounder for any application location.



A multi-tool for various applications.
Whether for transporting, feeding, mucking, sweeping or stacking: Thanks to the various attachments, your Weidemann telehandler becomes a universal multi-tool. You can find more about this on pages 20-21.



Undivided chassis, all-wheel steering, low centre of gravity and excellent stability.
Thanks to the all-wheel steering and the undivided frame, Weidemann telehandlers are particularly manoeuvrable and very stable. The low centre of gravity of the machine also increases the stability.



Variety in the outfitting.
The Weidemann telehandlers feature comprehensive and sturdy standard equipment. Depending on application and preferences, the engine, drive, operator's cab and hydraulics can be individually configured. Your Weidemann is always custom-made. A selection of the standard equipment and options available can be found on pages 22 - 23 and at www.weidemann.de.



Efficiently change attachments.
Thanks to the hydraulic quick-change system, attachments can be readily exchanged. In this way, your machine is again ready for application at once. This increases productivity and profitability.

The driver assist system vls (Vertical Lift System).

A better work flow with certainty.

Driver assistance system vls (Vertical Lift System).

The vls (Vertical Lift System) is installed in all Weidemann telehandlers. It makes a fluid working principle possible and, through a partially automated telescoping movement, supports the work in a complex operating environment. Due to the nearly vertical lifting or lowering movement, the stability of the machine is improved.

The operator has the following vls modes available:
 1 Bucket mode (e.g. loading work with bulk material),
 2 Stacking mode (e.g. stacking round bales)
 3 Manual mode only available with the T6027; the system is deactivated when the arm is fully retracted.
 This means that pushing work can be done without system intervention.

When lifting, the telescopic arm automatically extends in the upper range only if the stacking mode is switched on. When lowering, the telescopic arm automatically retracts in the upper range if the stacking mode and bucket mode are switched on. This ensures that the machine does not suddenly come into the overload range and tip forward.

The fluid working principle, the avoidance of a reduced lowering speed for safety reasons and the easier machine operation increase the machine's handling capacity. Experienced operators can work even faster and safer with the vls. Inexperienced operators receive valuable support for lifting and loading work.



The vls has received multiple international awards:

Agritechnica
 innovation award 2011, silver
 Germany



eima
 innovation award 2012
 Italy



Equitana
 innovation award 2013
 Germany



Without vls. The machine reaches the tilting limit when simply lowering.



With vls. Nearly vertical movement. Hardly any load torque displacement in the longitudinal direction of the machine.



— Operating parameter — Response of the loader unit

Economic efficiency that's worth it.

Efficient work operation thanks to reliable technology.



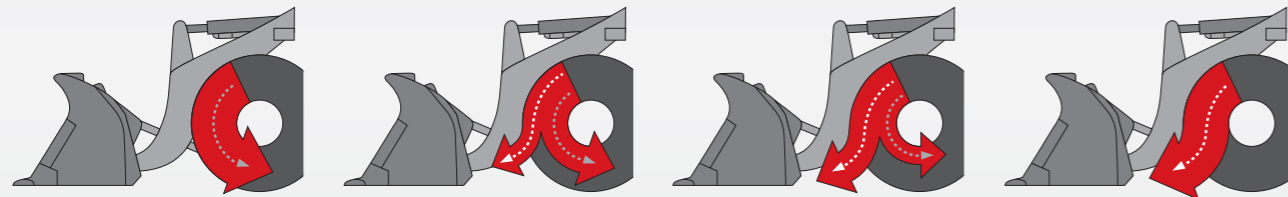
Work economically.

Economic efficiency is currently one of the most important features that telehandlers should bring to your business. The faster and more time-saving a machine manoeuvres, the higher its work performance. For Weidemann machines, economy means technically sophisticated solutions such as large lift height, strong tensile force, high stability, and an efficient quickhitch system for attachments.



Connectible 100% differential lock.

The connectible 100 % differential lock provides maximum traction and thrusting force if necessary. It also keeps the tire wear low (switched off during normal operation). This increases the efficiency of your machine!



The brake-inch pedal.

In Weidemann machines, the hydrostatic all-wheel drive is combined with the brake pedal. Through the inching, this enables creeping until standstill. With the brake-inch pedal, it is possible to travel at millimetre precision in crawler gear at full engine speed while quickly lifting.

If the pedal is pushed further, the machine will stop. The advantage of the brake-inch pedal is the optimal distribution of the engine output. Stalling of the engine is also not possible.



Optimum ease of servicing.

The engine bonnet can be opened with just one handle for regular service and maintenance jobs. The hydraulic oil tank, air filter, engine oil filling, oil-level dipstick and coolant are therefore easily and quickly accessible - real added comfort.



Easy transport.

Weidemann telehandlers T4108 and T4512 can be easily transported on a 3.5 tonne trailer - including attachments. This means the machines are quickly and variably on the go from application to application.



High level of operating and driving comfort.

Optimal visibility and good working environment.



Ventilation as required.

The cab has large, wide-opening doors on the left-hand side. In some models, the upper window can fold up back completely and be locked. A gap ventilation is also possible. The rear window can be raised – this ensures a pleasant temperature and maximum flexibility.

Comfortable working environment.

An excellent working environment thanks to an efficiently working heating and ventilation system featuring a blower, fresh air filter, and well-placed air nozzles. In warm temperatures, an air-conditioning system is recommended (available for the T5522 and T6027).



Good all-round visibility.

The cab provides an excellent overview of the attachments, the immediate working area, and the entire machine surroundings. In combination with the sloping engine bonnet, the low side window on the right-hand side and the high seat position ensure an optimal view. This increases safety across the machine's entire working area. The cab elevation option for the T5522 and T6027 will improve the overview even more.

Comfortable operator's seat.

The operator's seat is adjustable, ergonomically formed, and well suspended. The optional air-suspended comfort seat provides for fatigue-free work. The seats can be heated when working in cold conditions.

Three types of steering for maximum flexibility (for availability with each model, see page 23).



All-wheel steering.

Full manoeuvrability and power development in the smallest area.

Front wheel steering.

For safe driving, even at higher speeds.

Crab steering.

Sideways driving for ultra-precise manoeuvring in tight spaces, such as for shift work on walls.

A motivating working area.

Ergonomic operator's controls and simple handling.



Well thought-out and operator-friendly – the joystick for the T4108 and T4512.

The joystick helps you to keep the entire machine under control. Sturdy and sensitive control for all lifting and lowering motions and for the tilting out and in of the tool with just one lever. Optionally, the joystick on some models can be supplemented with additional functions.



The joystick for T5522 and T6027.

The joystick becomes an all-rounder and the machine's ease of use is increased even further. In addition to the functioning of the 3rd proportional control circuit that can be operated on the joystick, the continuous operation of the 3rd control circuit can be activated via a rocker switch – and also in both directions, by moving the thumbwheel. The telescopic function can also be operated proportionally. Both electrical functions can also be operated on the joystick in a detenting or latching manner. Both electric functions are independent so that they can be individually configured by the operator.



Hydraulic oil volume adjustment (T6027).

If necessary, the "jog dial" control element can be used to manually set the flow rate of the hydraulic oil. This is advantageous if the machine is operating a hydraulic attachment that does not require the full hydraulic performance of the machine. The operator can therefore work precisely and in a resource-saving manner with a machine and attachment.



Easy entry.

With one step, you can get into the machine's cabin comfortably. The low design and associated low entry height make this possible.



Pressure release of 3rd control circuit (optional).

Telehandlers T5522 and T6027 offer a special feature that is helpful for coupling and uncoupling hydraulically operated attachments: The button for releasing the pressure from the 3rd control circuit is easily accessible from the outside of the telescopic arm. In this way, different attachments can therefore be replaced faster and more efficiently. This works with the ignition switched on or the engine running.



Reversible fan (option for T6027).

Contamination of the ventilation grill, e.g. when loading straw, can be counteracted with the reversible fan. The hydraulic motor and pump are designed so that the air flow of the fan can be reversed (ability to be reversed). The dirt accumulation on the intake surfaces of the engine hood are simply blown away at the push of a button in the cabin.



Suitable for trailer operation.

Various optional trailer couplings are available: from a simple shunting coupler to a semi-automatic to an auto-hitch trailer coupling (availability depends on model and country).



Automatic bucket return (option for T6027).

The position of the tool holding fixture can be saved by pressing the corresponding button on the joystick. During the next loading process, the attachment can thus be brought back to exactly the same position. The automatic bucket return thus offers extra comfort, precision and speed for the operator for repetitive work, such as stacking or filling bins at a fixed height.



The new engine technology.

In addition to integrating an exhaust after-treatment in the form of a particulate filter, adapting the machines to stage IIIB or IV also requires optimization of the cooling capacity. This is achieved through a cooled exhaust gas recirculation. A positive side effect is that these new components not only reduce emissions but also greatly improve the performance of the machines and reduce fuel consumption by approx. 5% – convincing arguments!

The ceramic filter, which filters out a great deal of harmful soot particles, is automatically regenerated by burning out the deposited particles during operation – without restrictions for man and machine. These changes to the engine technology and exhaust system make the integration of additional components necessary. Components for the exhaust after-treatment and additional cooling equipment that require more space in the engine compartment are therefore added to the engine.



The Weidemann diagnosis and analysis system.



New emission standard – new engine technology.

With Weidemann, you are well-equipped for the future!

Since 1990, there have been specific emission regulations for non-road and mobile work machines. The multi-stage plan provides for a gradual reduction of engine emissions for different power classes. In Europe, the steps to reduce emissions are referred to as stages or levels (I, II, IIIA, IIIB, IV and V). In the US, they are referred to as tiers (1, 2, 3, 4 interim, 4 final). Every level has a maximum permissible limit for the following pollutants:

- Nitrogen oxide (NOx)
- Carbon monoxide (CO)
- Hydrocarbons (HC)
- Particulate matter (PM)/soot particles

At Weidemann, we have completed stages I to IV for pollutant reduction in the past few years. However, new and stricter Level V thresholds still need to be met. However, because we would like to adapt our machines to the new legal situation and continue to develop our machines, we are putting a great deal of development work and know-how into our new machine types.

Hot on the trail for errors with wedias.

The new engine technology also means new systems for maintenance and analysis. The sometimes drawn-out search for hidden errors is a thing of the past. On the Weidemann telehandlers, the Weidemann diagnostic and analysis system wedias is used to now quickly and clearly evaluate many features, such as the driving function, telescoping function, the 3rd and 4th control circuit, engine data as well as electrical functions. Error messages in the display immediately notify

the operator of possible errors and make a rapid response possible. Thanks to the exact error number designation, the Weidemann distributor can get to the machine prepared and with the right spare parts. The subsequent error analysis by the dealer's trained service employee makes further diagnosis and troubleshooting much simpler. This saves time, money and nerves.



Our quality promise.

Weidemann offers true German-made quality.

At Weidemann, quality is not an empty promise. A true Weidemann comes from one of the most modern wheel and telehandler production facilities in Europe. The plant in Korbach guarantees a consistently high quality of our products. At Weidemann, quality begins early on because compliance with defined processes is taken seriously. Purchased parts supplied to production are continually monitored, tested, and optimised in co-operation with suppliers.



Powder-coating.

The powder-coating is another key feature of the special quality standard at Weidemann. This guarantees optimum protection against corrosion. In comparison to conventional wet painting, it greatly extends the service life of the machine. It is also more efficient and environmentally friendly.



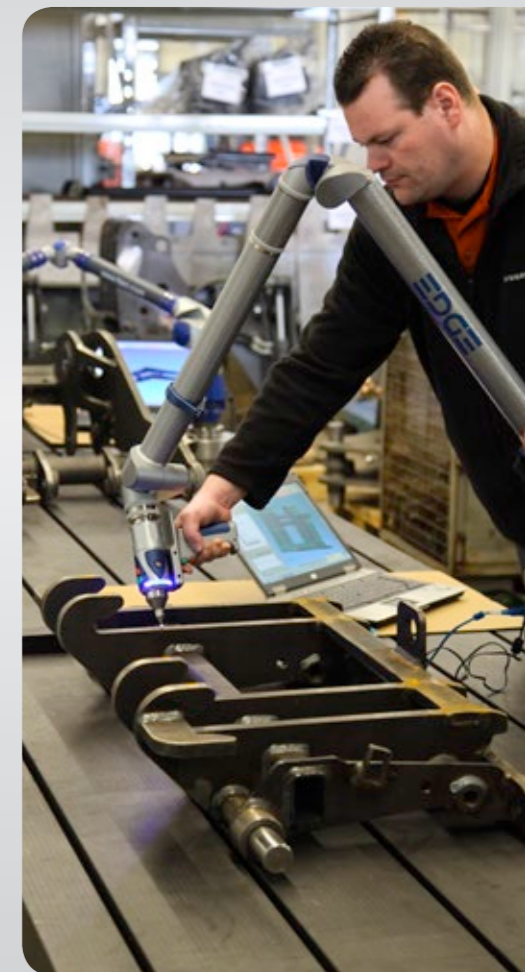
Careful final inspection.

Every Weidemann that leaves our factory is subjected to a careful final inspection. This guarantees our customers a long service life and low operating costs from the onset. The Weidemann label means quality.



DIN EN ISO 9001.

This standard is recognised internationally. With a certified system in accordance with international standard ISO 9001, Weidemann ensures that a focus on quality is reflected in all thoughts and actions within the company and that customers receive machines of certified quality.



Weidemann telehandler.

Versatility that convinces.



Your Weidemann telehandler.

Individually designed and built as required.

With Weidemann, you are in safe hands – our telehandlers offer you good comprehensive and heavy-duty standard equipment. With our different options, you can also assemble your machine in terms of drive, tyres, hydraulics and the operator's cab so that it is completely customised to you, your business, and your work tasks.



T4108



T4512



T5522



T6027

Standard equipment and options.

	T4108	T4512	T5522	T6027
DRIVE SYSTEM				
Hydrostatic four-wheel drive (medium pressure)	●	●	-	-
Hydrostatic four-wheel drive (high pressure)	-	-	●	●
PTO gear and universal joint shaft	●	●	●	●
Differential lock 100% electric-hydraulically connectable on front and rear axle (front axle only on the T6027)	○	○	○	○
Hand inching (creep speed controller)	○	○	○	○
Manual throttle	○	○	○	○
All-wheel steering	●	●	●	●
Front wheel steering	-	-	○	●
Crab steering	-	-	○	●
HYDRAULICS				
vls (Vertical Lift System)	●	●	●	●
3 Control circuit front, DN10	●	●	-	-
3 Control circuit front, proportional	-	-	●	●
Gear pump with flow sharing system	-	-	-	●
Reversing valve in front on 3rd Control circuit (3rd control circuit with 4 connections)	○	○	○	○
3rd comfort control circuit, (including single latch on lever for 3rd control circuit).	○	○	-	-
3 control circuit, electrically, proportionally, serial	-	-	○	-
High Flow - single-acting performance hydraulics (70-100 l/min)	-	○	○	-
Unpressurised return line, front	-	○	○	○
Unpressurised return line, rear	-	-	○	-
Faster rapid action couplings - machine-side	○	○	○	-
Faster rapid action couplings - attachment-side	○	○	○	-
Rear hydraulic connection also single-acting	○	○	-	-
Rear hydraulic connection also dual-acting	○	○	○	○
Three-point receptacle in the rear	-	○	○	○
PTO 540 U/min (10 -19 kW)	-	○	○	○
DRIVER'S CABIN				
Cab with heating, ventilation, and windshield; ROPS and FOPS-tested	●	●	●	●
Cab elevation	-	-	○	○
Comfort seat with safety belt mechanically suspended	●	●	●	●
Comfort seat with safety belt air-suspended	○	○	○	○
Heated seat	○	○	○	-
Air-conditioning system	-	-	○	○
Lighting equipment according to German Road Traffic Regulations	○	○	○	●
LED work light	○	○	○	○
OTHER				
Automatic bucket return	-	-	-	○
Recoil Starter	-	-	-	○
Lifting arm damping	-	-	○	○
Bio-hydraulic oil Panolin HLP Synt46	○	○	○	○
Central lubrication system	○	○	○	○
Mechanical rapid-change system for attachments	●	●	●	●
Hydraulic rapid-change system for attachments	○	○	○	○
TÜV [Technical Control Board] certificate for driving on public roads	○	○	○	○

- Standard
- Option
- Not possible

The illustration shows a selection of standard equipment and options. More detailed information about standard equipment and options can be obtained from your Weidemann distributor. More information can be found at www.weidemann.de

This brochure is for general product information. If you are interested, one of our distributors would be happy to send you an offer. The descriptions, illustrations and technical data are not binding and do not necessarily represent the standard design. We reserve the right to make changes. Despite the greatest care and diligence being applied, we cannot rule out deviations from the images or measures, errors in calculation, misprints or omissions in this brochure. We therefore assume no liability for the accuracy and completeness of our information in this brochure.

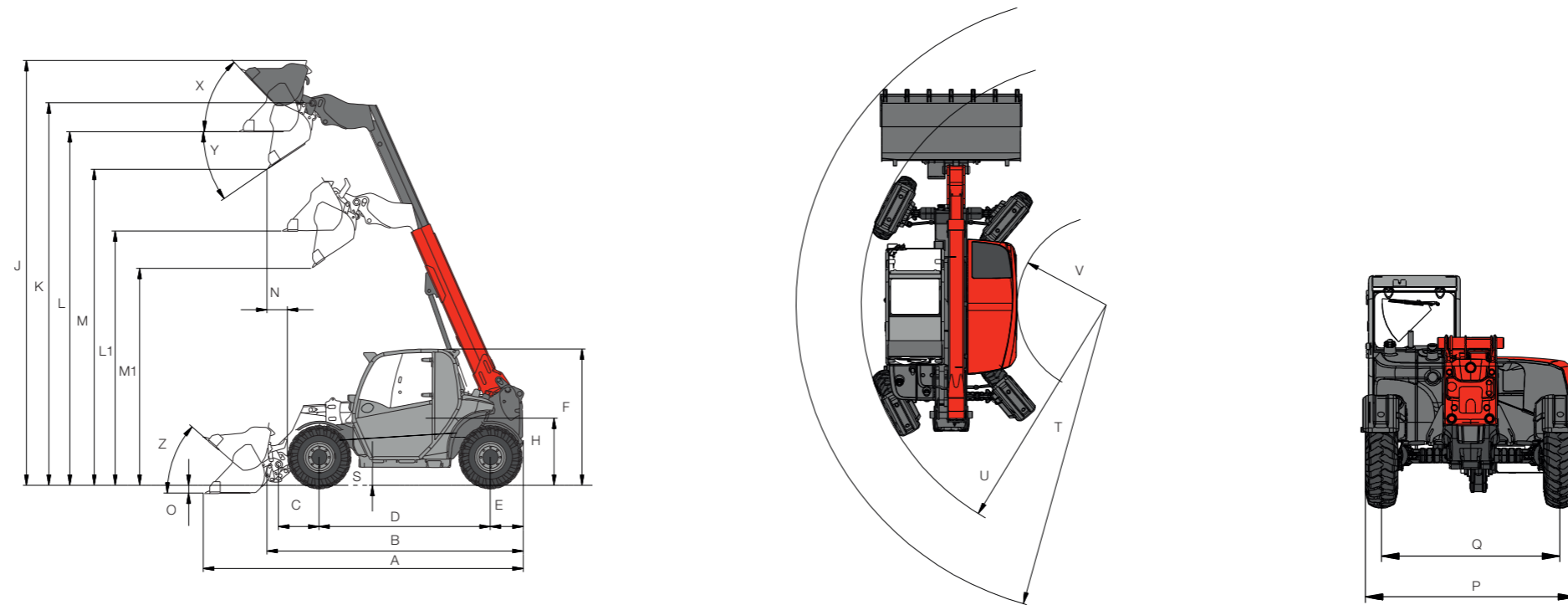
Technical data.

	T4108	T4512	T5522	T6027
ENGINE DATA				
Engine manufacturer	Yanmar	Yanmar	Perkins	Kohler
Type of engine	3TNV76	3TNV82A	404 D-22	KDI 2504 TCR
Cylinders	3	3	4	4
Max engine output kW	19.2	22.6	36.3	55.4
Max engine output HP	26	31	49	75
At max. speed rpm	3,000	3,000	2,800	2,600
Displacement cm ³	1,116	1,331	2,200	2,482
Type of coolant	Water	Water	Water	Water
Emissions standard level	IIIA	IIIA	IIIA	IIIB / Tier IV final
Exhaust after-treatment	-	-	-	DOC
ENGINE DATA (OPTIONAL)				
Engine manufacturer	-	Yanmar	Perkins	-
Type of engine	-	3TNV84T	404F-E22TA	-
Cylinders	-	3	4	-
Max engine output kW	-	29.6	50	-
Max engine output HP	-	40	68	-
At max. speed rpm	-	2,800	2,800	-
Displacement cm ³	-	1,496	2,200	-
Type of coolant	-	Water	Water	-
Emissions standard level	-	IIIA	IIIB / Tier IV final	-
Exhaust after-treatment	-	-	DOC	-
ELECTRICAL SYSTEM				
Operating voltage V	12	12	12	12
Battery Ah	77	77	77	100
Alternator A	55	55	85 (120 with 404F-E22TA)	80
WEIGHTS				
Operating weight (standard) kg	2,270	2,700	4,200	5,225
Payload max. kg	800	1,250	2,200	2,700
VEHICLE DATA				
Operator's cab	Cabin	Cabin	Cabin	Cabin
Axle	PAL 1155	PAL 1155	PAL 1530	PAL 1720
Travel speed (optional) km/h	0-14	0-20 (28)	0-20 (30)	0-20 (30)
Fuel tank capacity l	39	25	70	100
Hydraulic oil tank capacity l	40	40	55	75
HYDRAULIC SYSTEM				
Drive hydraulics – working pressure bar	330	360	450	450
Work hydraulics – discharge volume (optional) l/min	24	42.75 (70-75)	70 (100)	90
Work hydraulics – working pressure bar	220	220	225	245
DRIVE SYSTEM				
Type of drive system	Hydrostatic	Hydrostatic	Hydrostatic	Hydrostatic
Drive system	Universal joint shaft	Universal joint shaft	Universal joint shaft	Universal joint shaft
SOUND PARAMETERS				
Average sound power level L _{wA} dB (A)	-	97.7	-	103
Guaranteed sound power level L _{wA} dB (A)	103	101	103	104
Specified sound pressure level L _{pA} dB (A)	84	84	82	80

DOC = diesel oxidation catalyst
DPF = diesel particle filter

More information can be found at www.weidemann.de

Dimensions.



	T4108	T4512	T5522	T6027
Tyres	27 x 10.0 - 15 AS ET20	10.0 / 75 - 15.3 AS ET-40	10.5 / 80 - 18 AS ETO	12.5-18 MPT-01
A Total length mm	3,554	3,886	4,576	4,958
B Total length (without bucket) mm	2,717	2,916	3,747	4,400
C Bucket pivot point (to centre of axle) mm	406	425	581	1,030
D Wheel base mm	1,795	1,920	2,449	2,650
E Rear overhang mm	343	391	472	720
F Height with cab mm	1,900	1,961	-	-
Height with low cab mm	-	-	1,950	1,980
Height with high cab mm	-	-	2,150	2,100
H Seat height mm	914	973	962	1,025
J Total working height mm	4,737	5,210	6,074	6,580
K Bucket pivot point (max. lifting height) mm	4,145	4,523	5,471	6,080
L1 Overhead loading height of retracted telescopic arm mm	2,725	2,929	3,638	3,730
L Overhead loading height of extended telescopic arm mm	3,799	4,143	5,056	5,600
M1 Dumping height of retracted telescopic arm mm	2,244	2,395	3,103	3,450
M Dumping height of extended telescopic arm mm	3,318	3,609	4,520	5,280
N Coverage (with M) mm	533	543	293	680
O Digging depth mm	114	94	111	150
P Total width mm	1,413	1,560	1,808	1,975
Q Track width mm	1,252	1,296	1,530	1,660
S Ground clearance mm	223	306	256	250
T Max. radius outside mm	3,034	3,489	4,153	4,500
U Radius on outer edge mm	2,227	2,722	3,281	3,670
V Inner radius mm	595	821	1,193	1,700
X Rollback angle at max. lifting height °	52	52	46.5	45
Y Max. dumping angle °	32	31	34.5	40
Z Rollback angle on the ground °	44	44	41	45

DIMENSIONS

Label	Description	Unit
A	Total length	mm
B	Total length (without bucket)	mm
C	Bucket pivot point (to centre of axle)	mm
D	Wheel base	mm
E	Rear overhang	mm
F	Height with cab	mm
	Height with low cab	mm
	Height with high cab	mm
H	Seat height	mm
J	Total working height	mm
K	Bucket pivot point (max. lifting height)	mm
L1	Overhead loading height of retracted telescopic arm	mm
L	Overhead loading height of extended telescopic arm	mm
M1	Dumping height of retracted telescopic arm	mm
M	Dumping height of extended telescopic arm	mm
N	Coverage (with M)	mm
O	Digging depth	mm
P	Total width	mm
Q	Track width	mm
S	Ground clearance	mm
T	Max. radius outside	mm
U	Radius on outer edge	mm
V	Inner radius	mm
X	Rollback angle at max. lifting height	°
Y	Max. dumping angle	°
Z	Rollback angle on the ground	°

Vibration characteristic values.

VIBRATIONS	Typical operating conditions	Mean value			Standard deviation (s)		
		$1,4^*a_{w,eqx}$ [m/s ²]	$1,4^*a_{w,eqy}$ [m/s ²]	$a_{w,eqz}$ [m/s ²]	$1,4^*s_x$ [m/s ²]	$1,4^*s_y$ [m/s ²]	s_z [m/s ²]
TYPE OF LOADING							
Compact wheel loader (operating weight < 4,500 kg)	Load and carry (load and transport work)	0.94	0.86	0.65	0.27	0.29	0.13
Wheel loader (operating weight > 4,500 kg)	Load and carry (load and transport work)	0.84	0.81	0.52	0.23	0.20	0.14
	Application in recovery (harsh application conditions)	1.27	0.79	0.81	0.47	0.31	0.47
	Delivery drive	0.76	0.91	0.29	0.33	0.35	0.17
	V-operation	0.99	0.84	0.54	0.29	0.32	0.14

Whole-body vibrations:

- Each machine is equipped with an operator's seat that meets the requirements of EN ISO 7096:2000.
- When the loader is properly used, whole body vibration varies from below 0.5 m/s² up to a short-term maximum value.
- To calculate the vibration values according to ISO/TR 25398:2006, it is recommended to use the values specified in

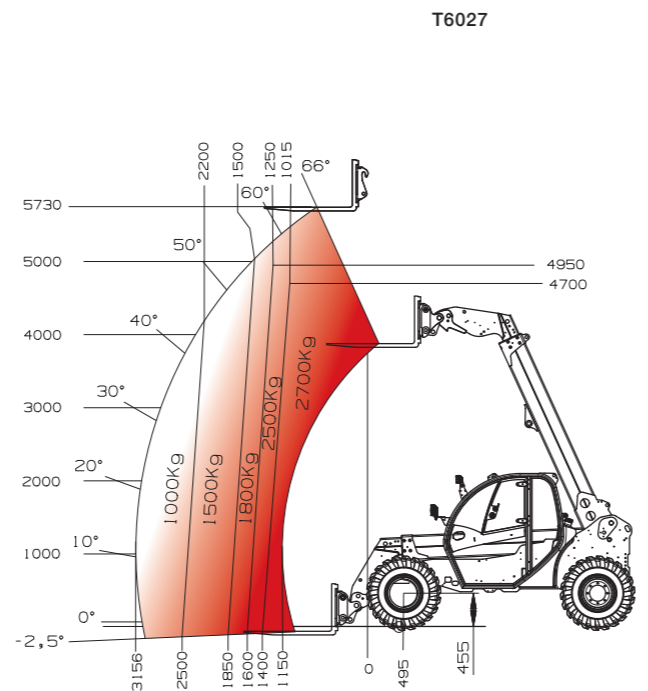
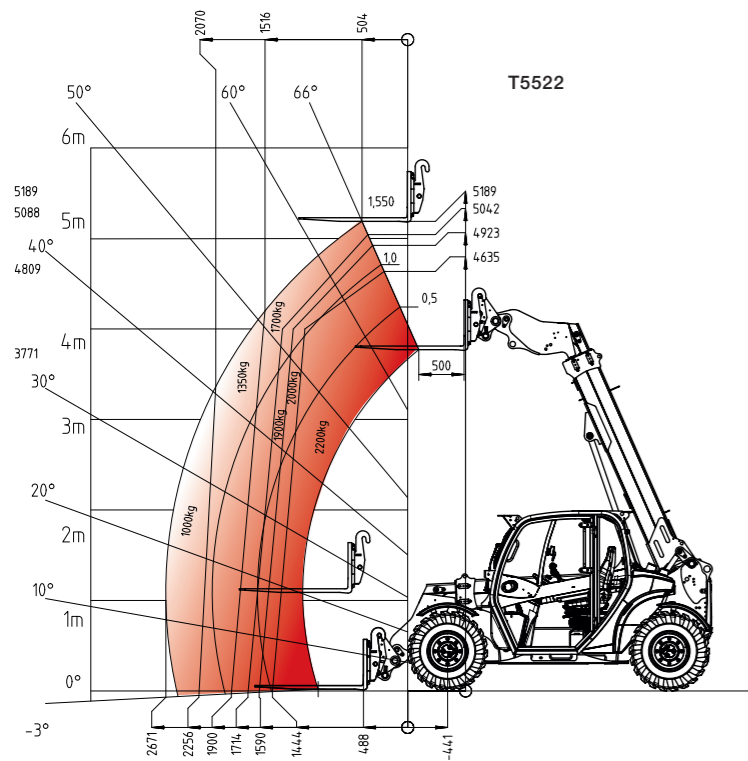
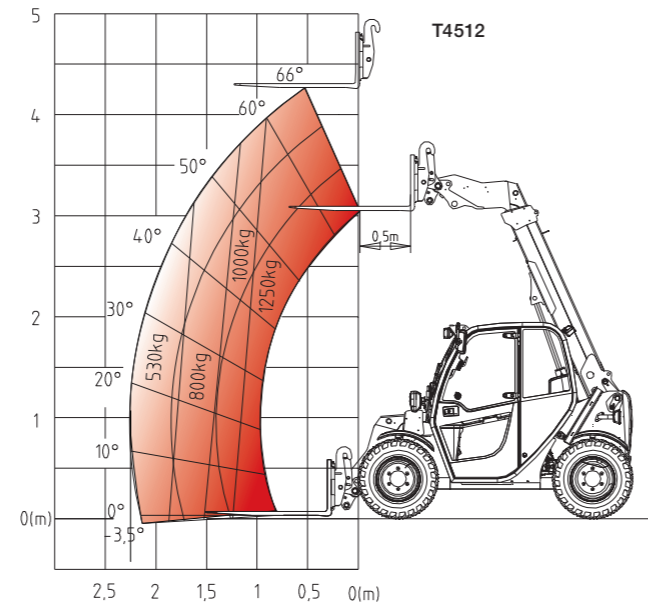
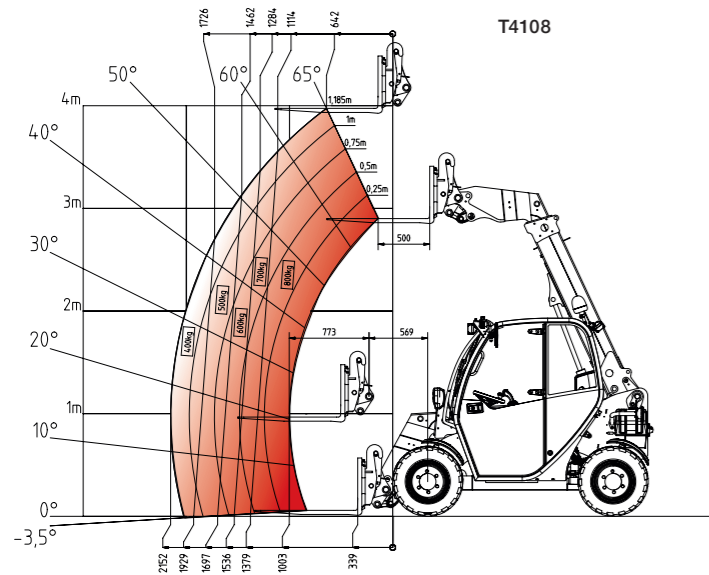
the table. The actual application conditions are to be considered.

- Like wheel loaders, telehandlers are to be classified according to operating weight.

Hand-arm vibrations:

- The hand-arm vibrations are no more than 2.5 m/s².

Load-bearing capacity diagrams.



Tread.



EM treads
Thanks to the almost parallel lamellas, the EM tread is particularly well suited for loose ground such as sand, soil or gravel. Thanks to the high thrust transmission, this tyre has a large footprint and runs very smoothly on the road.



AS tread
The tapered lamellas ensure safe driving, especially on greasy and dirty terrain.



SureTrax tread
The SureTrax tread impresses with a large contact surface as well as a high lift capacity. It is ideal for solid and other hard surfaces.



RP tread
Due to the large contact surface, the ground is traversed gently. This makes the RP tread particularly suitable for application on lawns.



MPT tread
The MPT profile offers the perfect combination of good traction on uneven ground conditions as well as fast road crossings.



Multi-use
The multi-use tread was specially designed for year-round use and various climate conditions. In summer, it provides good traction on loose surfaces. In winter, it offers stability on snow and slippery driving surfaces.

Tyres.

	T4108	T4512	T5522	T6027
	Width of machine mm			
TYRES				
27x10.5-15 AS ET20	1,413	-	-	-
27x8.50-15 EM ET-10	1,412	-	-	-
27x10.50-15 EM ET18	1,400	-	-	-
10.0/75-15.3 AS ET-40	-	1,560	-	-
31x15.50-15 AS ET0	-	1,560	-	-
10-16.5 EM ET-40	-	1,560	-	-
31x13.50-15 RP ET0	-	1,560	-	-
10.5/80-18 AS ET0	-	-	1,808	-
325/70 R 18 AS ET0	-	-	1,860	-
425/50-18 AS ET36	-	-	1,874	-
10.5/80-18 EM ET0	-	-	n.n.	-
15.5/55 R 18 EM ET50	-	-	1,800	-
12.0/75-18 MPT ET0	-	-	1,830	-
425/50-18 Alptrak ET36 Starco	-	-	1,870	-
12.5-18 MPT-01	-	-	-	1,975
12.5-20 MPT-01	-	-	-	1,929
405/70-20 MPT 01	-	-	-	2,027
400/70 R20 Michelin XMCL	-	-	-	2,027
400/70 R20 BIBLOAD	-	-	-	2,023
12.5-18 MPT-04	-	-	-	1,975
335/80 R18 Michelin XZSL	-	-	-	1,975
400/70 R20 Alliance Multiuse 550	-	-	-	2,024



WEIDEMANN

designed for work

Weidemann – a tradition of efficiency.

For decades, our mission has been to lighten the load of commercial agriculture by the mechanisation of stable and yard operations. This led to the design and development of the Hoftrac®, which has become a generic term for its own equipment category – the original comes from Weidemann. The close co-operation between the Weidemann developers and our end users has repeatedly led to innovative concepts and a sophisticated product programme with high usability and mature technology.

We stand by this and continue to pursue our chosen path. Our customers benefit from high productivity, investment security and have a strong partner in Weidemann, who is always at their side. Our machines and services perform at a high level and bring daily pleasure through their work operation. Made precisely for this. Weidemann – designed for work.

Weidemann – your strong partner.

All-round care.



Comprehensive dealer network.

Weidemann has a wide network of select dealers in Germany and Europe. Each dealer is part of a well-organised system. In addition to consulting and selling new machines, our dealers are happy to provide you with reliable customer service and supply you with spare parts. Weidemann offers regular training for dealers so that your contact partners are always up to date.

Attractive financing programme.

In Germany, Weidemann offers attractive options for financing or leasing machines thanks to various framework agreements. Weidemann distributors also offer various financing options at the international level. Get in touch with your local contact partner to find out about current conditions.



Personal training and instruction.

When you decide to purchase a Weidemann machine, you will not be left in the dark. When the machine is handed over, you and your entire team will receive detailed instructions on the operation and maintenance of the machine. If you would like to know more, simply contact your dealer. He or she is just around the corner and will be happy to help without bureaucracy.

Warranty extension.

Upon request, you can extend the warranty period of your machine up to 60 months or 5,000 operating hours.





WEIDEMANN

designed for work

The Weidemann product range.



The multifunctional Hoftracs®.

Powerful helper for every application.
Our innovation: the fully electric 1160 eHoftrac®.



The powerful wheel loader.

Available either with load arm or telescopic arm.



The compact telehandler.

Aim high with optimal stability.



Attachments and tires.

Your Weidemann machine becomes a multi-tool!
The optimal attachment and the right tires for every task.

Weidemann GmbH

Mühlhäuser Weg 45-49
34519 Diemelsee-Flechtdorf
Germany
Tel. +49(0)5633 609-0
Fax +49(0)5633 609-666
info@weidemann.de
www.weidemann.de



WM.EMEA.10272.V01.EN/02/2018